

THIS DRAWING IS UNPUBLISHED.

RELEASED FOR PUBLICATION

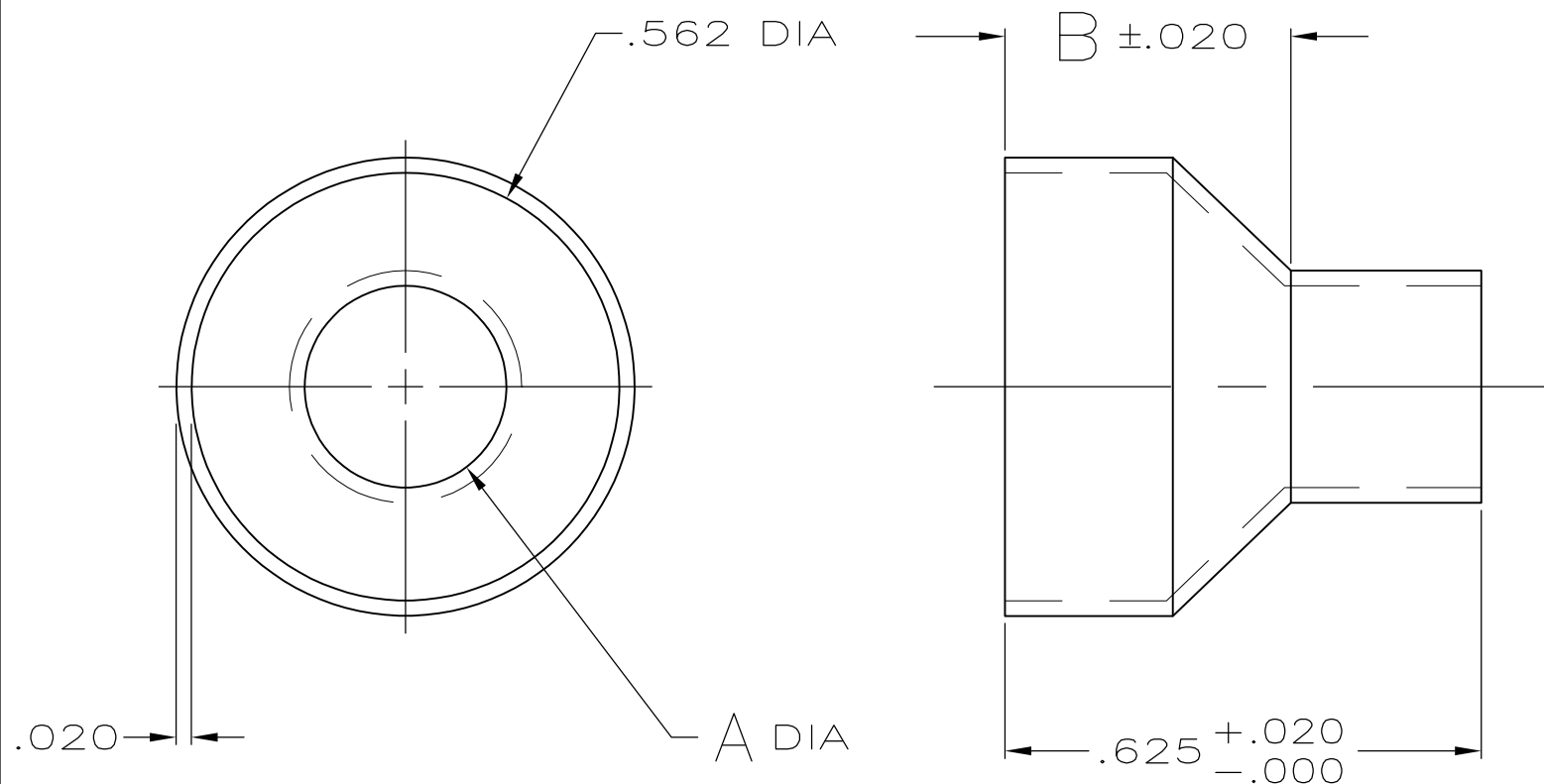
ALL RIGHTS RESERVED.

© COPYRIGHT - By -

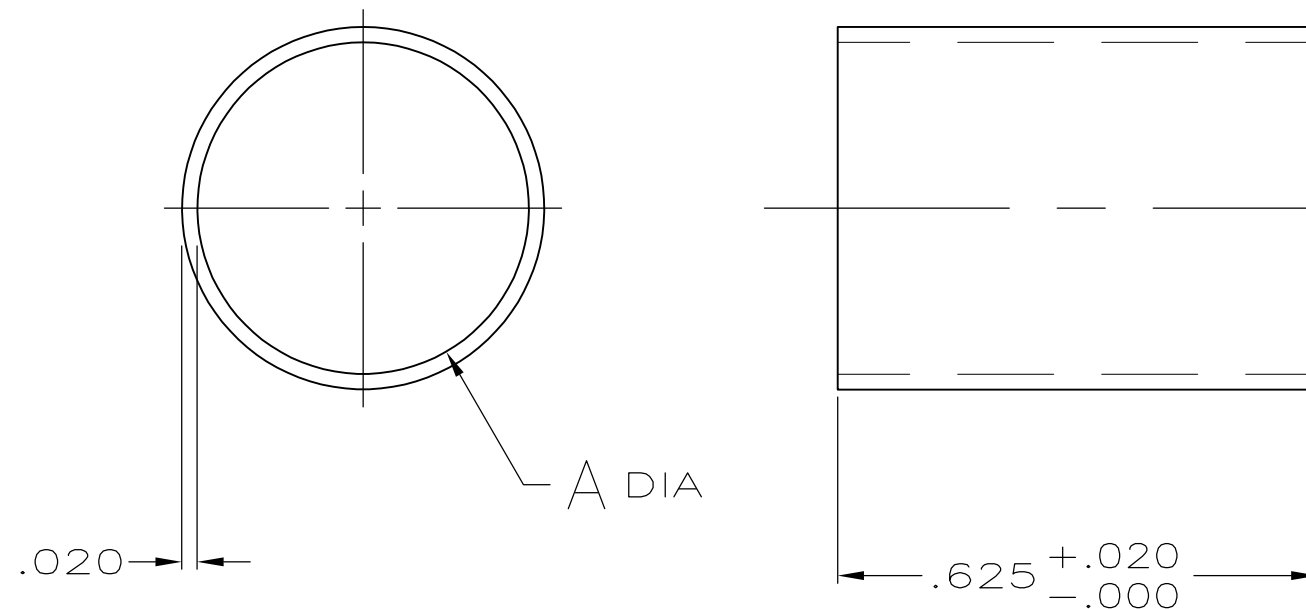
LOC GP DIST 00

REVISIONS

P	LTR	DESCRIPTION	DATE	DWN	APVD
L3		REVISED PER ECO-11-004835	11MAR11	RK	HMR



STYLE I (STEPPED)



STYLE II (STRAIGHT)

	②	I	.422-.490	.375	.490	3-747580-1
	②	I	.230-.265	.375	.265	2-747580-4
	②	I	.338-.385	.375	.385	2-747580-3
	②	I I	.480-.562	-	.562	2-747580-2
	②	I	.375-.432	.375	.432	2-747580-1
OBSOLETE	①	I	.230-.265	.375	.265	1-747580-0
OBSOLETE	①	I	.338-.385	.375	.385	747580-8
OBSOLETE	①	I I	.480-.562	-	.562	747580-6
OBSOLETE	①	I	.422-.490	.375	.490	747580-5
OBSOLETE	①	I	.375-.432	.375	.432	747580-4
	FINISH	STYLE	INSULATION RANGE DIA	B	A	PART NUMBER

① .000100 MIN BRIGHT TIN-LEAD OVER .000100 MIN COPPER.

② .000100 MIN BRIGHT TIN OVER .000100 MIN COPPER.

THIS DRAWING IS A CONTROLLED DOCUMENT.		DWN B. MCMASTER 21MAY04	STE TE Connectivity		
		CHK J. GERACE 21MAY04			
DIMENSIONS: INCHES		APVD M. WALMSLEY 21MAY04	NAME		
TOLERANCES UNLESS OTHERWISE SPECIFIED:		PRODUCT SPEC	OUTER FERRULE, SIZE 4 AND 5, AMPLIMITE SHIELDING HARDWARE		
0 PLC ± -		APPLICATION SPEC	SIZE	CAGE CODE	DRAWING NO
1 PLC ± -		WEIGHT -	A3	00779	C-747580
2 PLC ± -			RESTRICTED TO		
3 PLC ± .005			SCALE 4:1 SHEET 1 OF 1 REV L3		
4 PLC ± -					
ANGLES ± -					
MATERIAL STEEL, ANNEALED	FINISH SEE TABLE	CUSTOMER DRAWING			